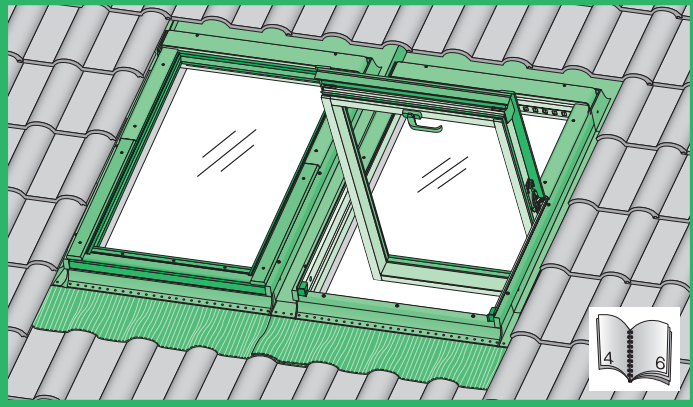
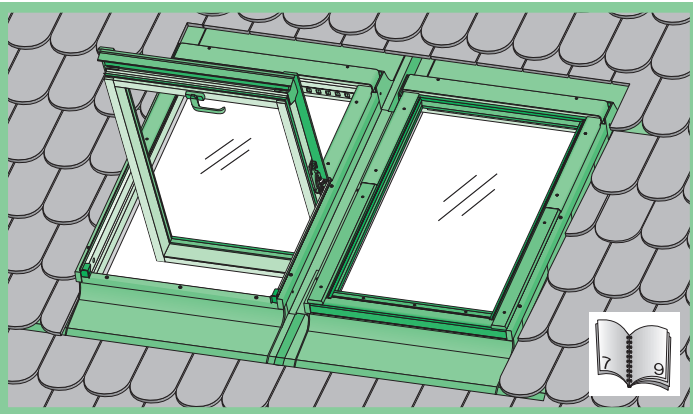


**B2/1 (B../1)**

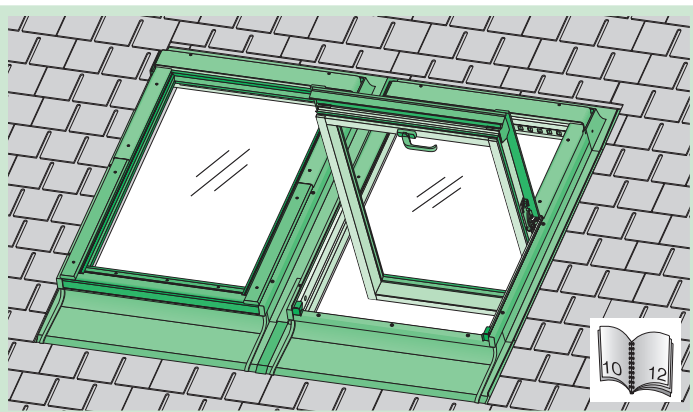
**KHN, KHV**



**KZN, KZV, KZJ**



**KSN, KSV, KSJ**

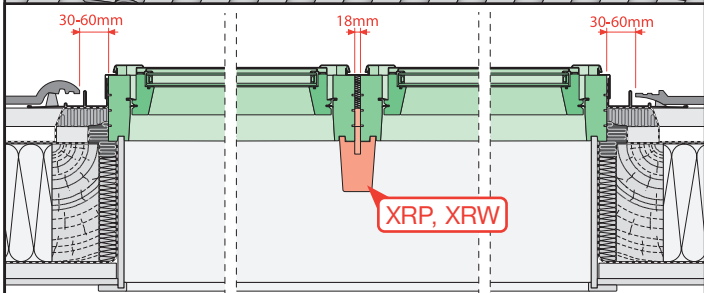
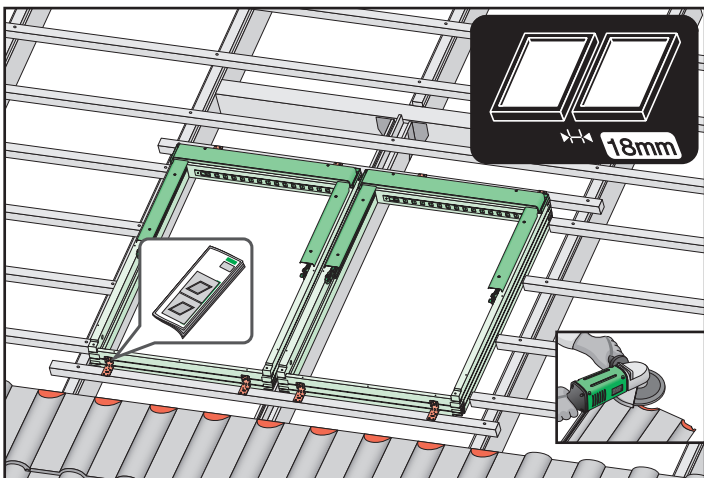
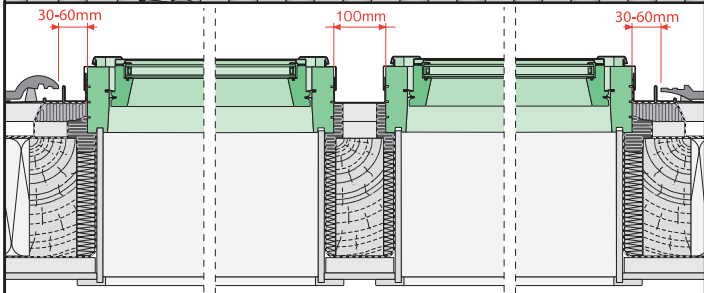
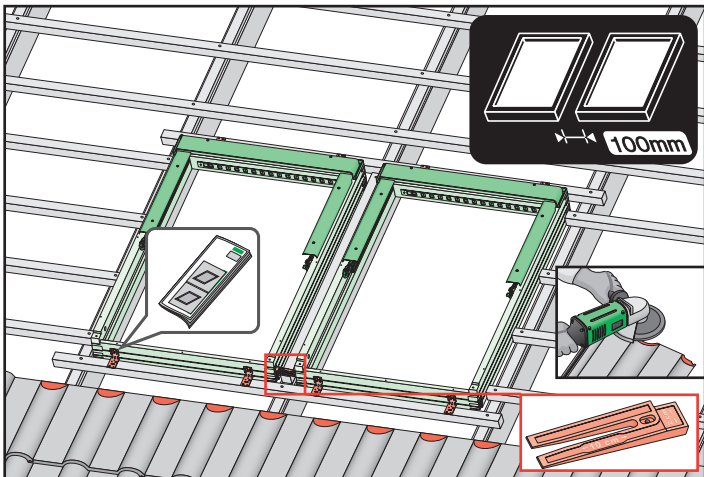
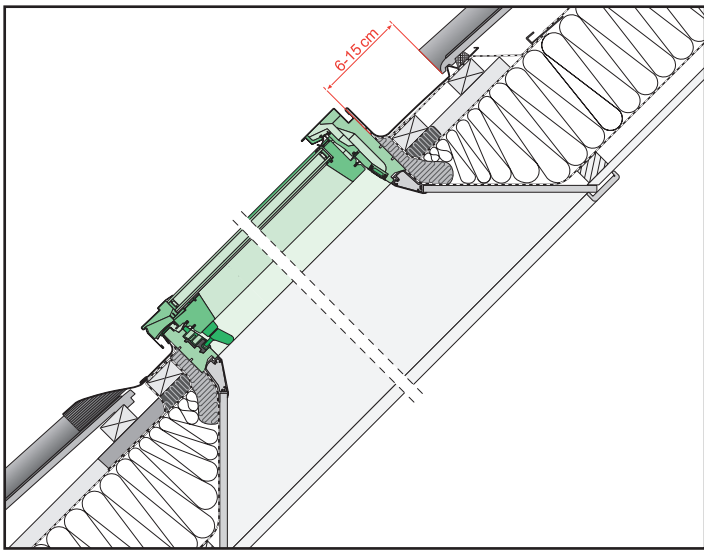


	<b>KHN</b>		
	<b>KHV</b>		
	-	-	-

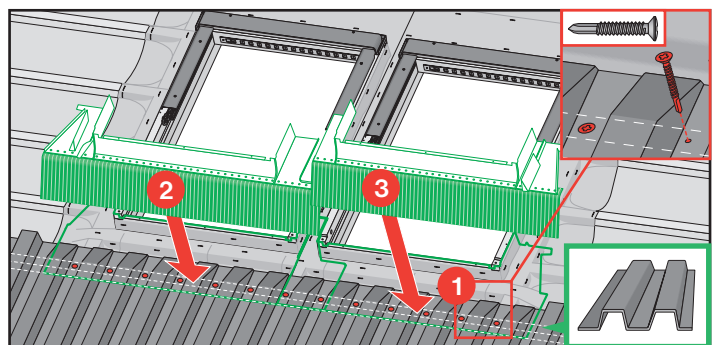
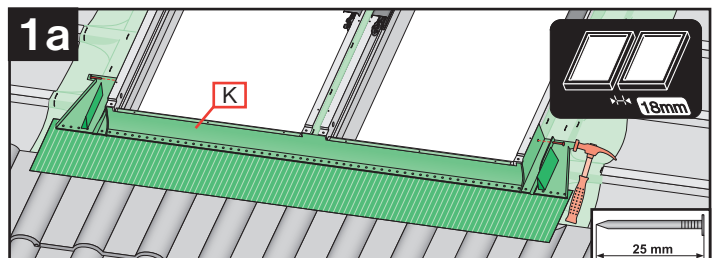
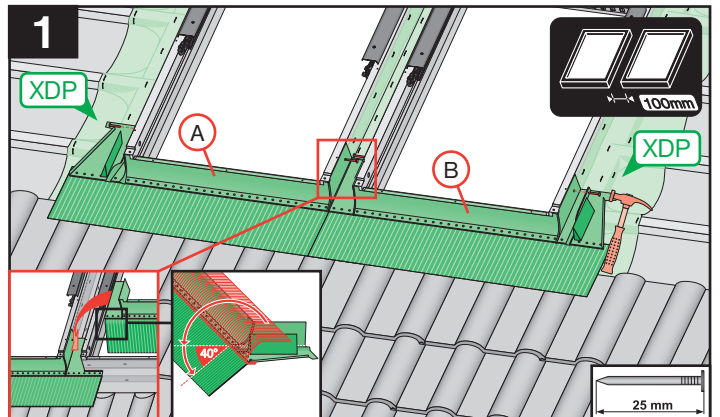
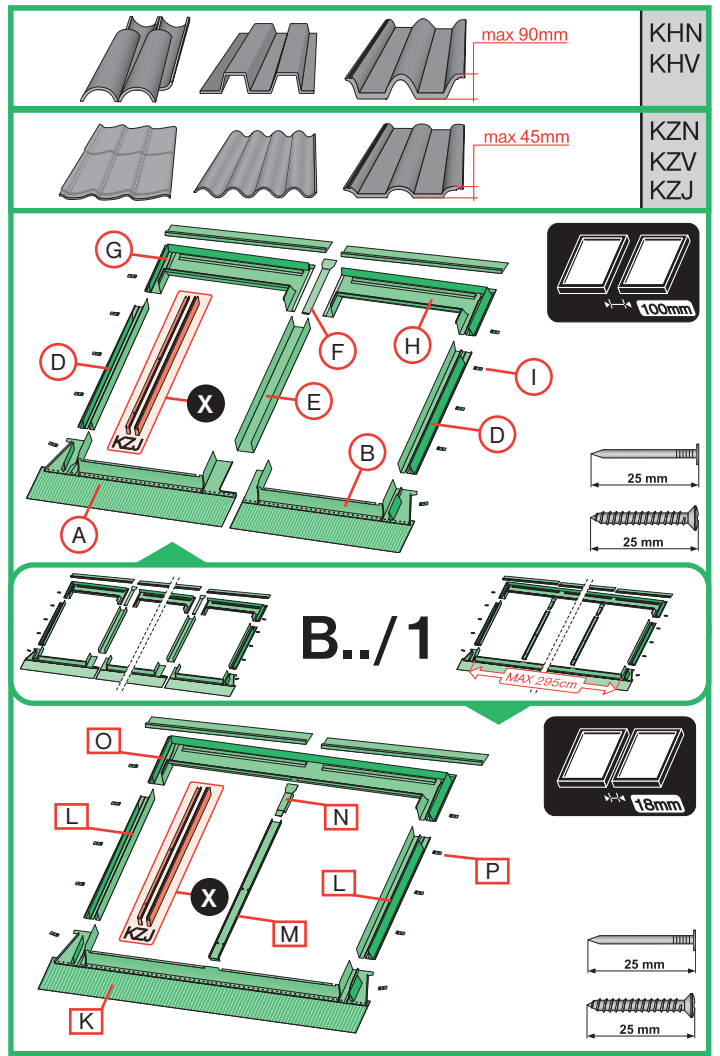
	<b>KZN</b>		
	<b>KZV</b>		
	<b>KZJ</b>		

	<b>KLN</b>		
	<b>KLV</b>		
	<b>KLJ</b>		

	<b>KSN</b>		
	<b>KSV</b>		
	<b>KSJ</b>		



3



4



